



F3 CL 17 HL AB F3 CL 22 HL AB

CANTILEVER TAIL-LIFTS
FOR LOW-COUPLING TOWING SYSTEMS

LOAD CAPACITY: 1500, 2000, KG



DESCRIPTION

The cantilever tail-lift F3 CL 17 - 22 HL AB is the ideal tail-lift for vehicles with drawbar couplings.

SWINGING REAR BUMPER THAT CAN BE RAISED UP FROM DRAWBAR COUPLING.

Spring assisted to reduce the effort required by the operator.

SPECIFICATIONS

Platform:	Aluminium
Platform depth:	from 1600 to 2600 mm rear bumper EEC type approved
Lift cylinders:	2
Tilt cylinders:	2
Autotilt at ground:	hydraulic (with memory feature)
Platform opening:	Powered opening
Power supply:	12 or 24 V
Low maint. bushes:	greasable
Frame color:	Black KTL plus and powder paint
Weight:	from 450 Kg

SUGGESTED OPTIONS

- Inside body remote control;
- Radio remote control;
- Foot operated controls on platform;
- Blinking lights on platform;
- Roll stop;
- Platform lock handle;
- Body seal kit





F3 CL 17 HL AB F3 CL 22 HL AB

CANTILEVER TAIL-LIFTS FOR LOW-COUPLING TOWING SYSTEMS

LOAD CAPACITY: 1500, 2000, KG

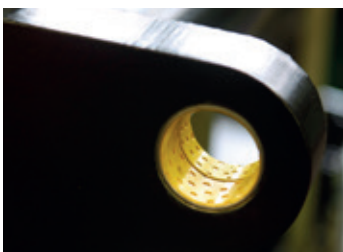
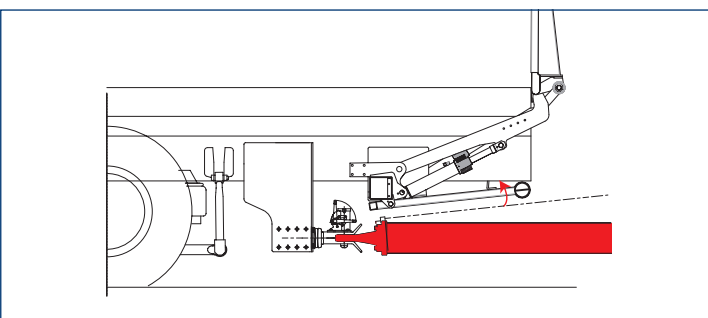
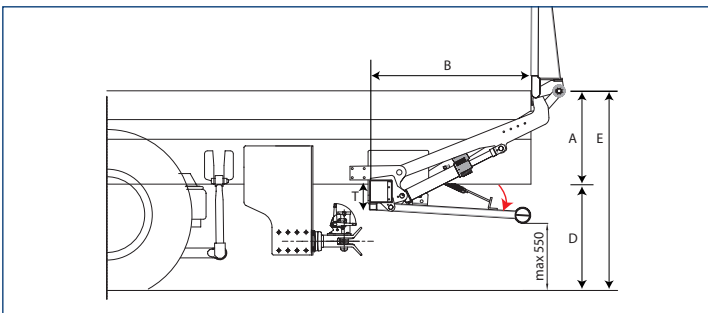
TECHNICAL DATA

Mod.	Load Capacity (600 mm load centre)	Weight* (Kg)	Floor to ground (max)	Floor to bottom of chassis		Mounting space (min)
				min	max	
F3 CL 17 HL AB	1500	450	1415	435	680	1075
F3 CL 22 HL AB	2000	460	1415	435	680	1075

*Approximate weight for tail-lift equipped with aluminium platform dimensions 1808 x 2500 mm.

The above mentioned weights are approximate and may vary according to production. Anteo reserves the right to change weights and technical specifications without prior notice. No indemnity for damages can be claimed from Anteo for changes in technical specifications and/or in weight.

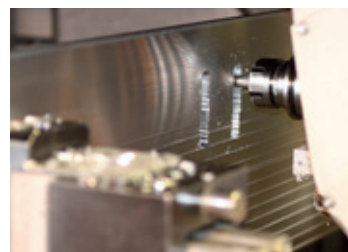
01/2021



LOW MAINTENANCE BUSHES AND CHROMIUM PLATED PINS.



POWDER COATING PAINT (2) ADDED TO KTL PLUS (1). NO RUST AND NO SALT STAINS.



HI-TENSILE ALUMINUM SPECIALISTS SINCE 1992.



LOW NOISE POWER UNIT & NO ELECTRONICS = EASY MAINTENANCE